



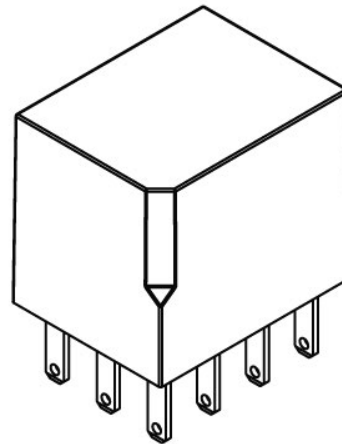
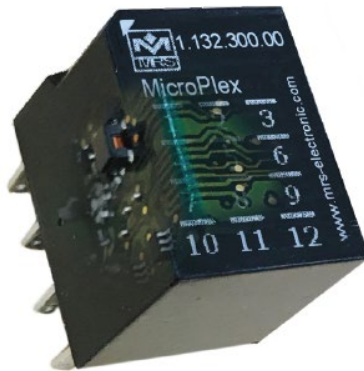
MicroPlex® Gateway

MRS Electronic Inc.

MicroPlex® Gateway

2xCAN-2xLIN-1xRS232¹

Datasheet



Technical Data

Housing	PA66 + GF33
Footprint	Side by Side 2x ISO280 Relay form factor
Dimensions	1.2 x 0.925 x 1.02 in
Weight	Approx. 2oz
Operating Temperature	- 40° C to +85° C
IP Class	IP67 when used with standard ISO280 Relay and Fuse Box housing
Input Voltage Range	9V-30V
Power Consumption	60mA
Protection	Short Circuit, Battery Reverse Polarity, Load Dump,



Processor

Manufacturer	NXP
Part Number	9S08DZ60
Clock Frequency	8 MHz
Flash	60 K
Ram	4 K
EEPROM	2 K

Interfaces

2x CAN-Bus TJA1043 Low Power Fault Protected with CAN Wake

ISO 11898-5	High Speed
CAN 2.0A	11 Bit standard address identifier
CAN 2.0B	29 Bit extended address identifier
Baudrate	10 kBit/s – 1000 kBit/s, Standard 125kBit/s

2x¹ LIN-Bus TJA1021 (see note 1)

LIN 2.1/SAE J2602	Compliant
Orderable Option	Master or Slave
Baudrate	1 kBd – 20 kBd

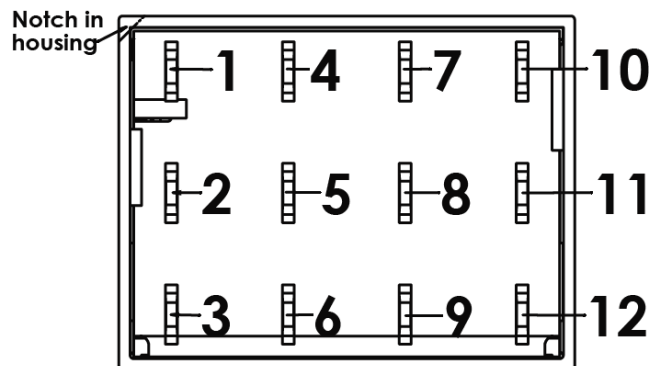
1x¹ RS232 Bus LTC2802 (see note 1)

TIA/EIA-232-F standard	Compatible
Baudrate	Up to 1 Mbps

Pinout Description

1. GND	7. LIN 1
2. Analog / Digital Input 1	8. Analog / Digital Input 2
3. BATT	9. RS232 RXD or LIN 2 ¹
4. CAN1 L	10. CAN2 L
5. CAN1 H	11. CAN2 H
6. IGN	12. RS232 TXD

BOTTOM VIEW



NOTE 1: The Second LIN BUS is sharing the same output pin as the RS232. Orderable option is either one or the other.