



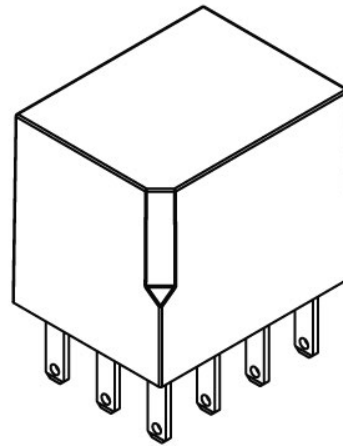
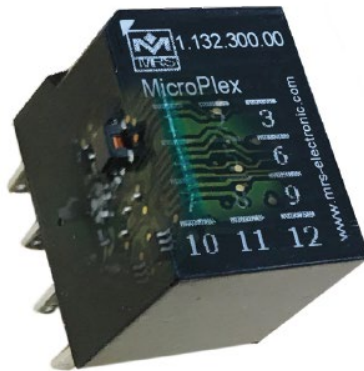
MicroPlex® 1HB

MRS Electronic Inc

MicroPlex® 1HB

5A Motor Controller

Datasheet



Technical Data

Housing	PA66 + GF33
Footprint	Side by Side 2x ISO280 Relay form factor
Dimensions	1.2 x 0.925 x 1.02 in
Weight	Approx. 2oz
Operating Temperature	- 40° C to +85° C
IP Class	IP67 when used with standard ISO280 Relay and Fuse Box housing
Input Voltage Range	9V-30V
Power Consumption	25mA
Protection	Short Circuit, Battery Reverse Polarity, Load Dump, Over Temperature Shutdown
Output Current	Up to 5A each output, 2.5A continuous



Processor

Manufacturer	NXP
Part Number	9S08DZ60
Clock Frequency	40 MHz
Flash	60 K
Ram	4 K
EEPROM	2 K

Interface

CAN-Bus TJA1043 Low Power Fault Protected with CAN Wake

ISO 11898-5	High Speed
CAN 2.0A	11 Bit standard address identifier
CAN 2.0B	29 Bit extended address identifier
Baudrate	10 kBit/s – 1000 kBit/s, Standard 125kBit/s

Pinout Description

1. GND	7. Analog/Digital Input 3
2. Frequency Counter Input 1	8. Frequency Counter Input 2
3. BATT	9. Half H-Bridge Output 1 M1
4. CAN L	10. Analog/Digital Input 1
5. CAN H	11. Analog/Digital Input 2
6. IGN	12. Half H-Bridge Output 2 M2

BOTTOM VIEW

