

DESCRIPTION

The high quality waterproof 12-pin plug-in socket is perfect for your application in use with our patented MicroPlex® or 2 ISO280 relays. In addition, fuses can also be installed (e.g.: 1x ISO280 and 2 fuses, etc.). The locking bracket, the sealing mat as well as the single wire seals allow watertightness.

These can be ordered additionally if required. Thanks to the practical snap-in principle, the socket can be assembled without tools. Due to the lateral guides, several sockets can be plugged together and thus also easily combined with other MRS sockets.

TECHNICAL DATA

Material	PA66 GF30
Housing dimensions (L x W x H)	49.5 x 42.4 x 55 mm (maximum dimensions without locking bracket)
Connector	Crimp Lear AFK 2.8 PLUS 0.5mm ² -1.0mm ² TE Junior Power Timer Contacts 1.5mm ² -2.5mm ²
Weight socket	32.8g (without locking bracket)
Protection class	IP 67 for correct installation position (connector of the relay is positioned vertically downwards, with using sealing pad, and all single wire seals/ blind plugs)
Max. ampacity Junior Power Timer	25 A (at 2.5 mm ² diameter litz wire at 20°C) 12 A (at 2.5 mm ² diameter litz wire at 90°C)

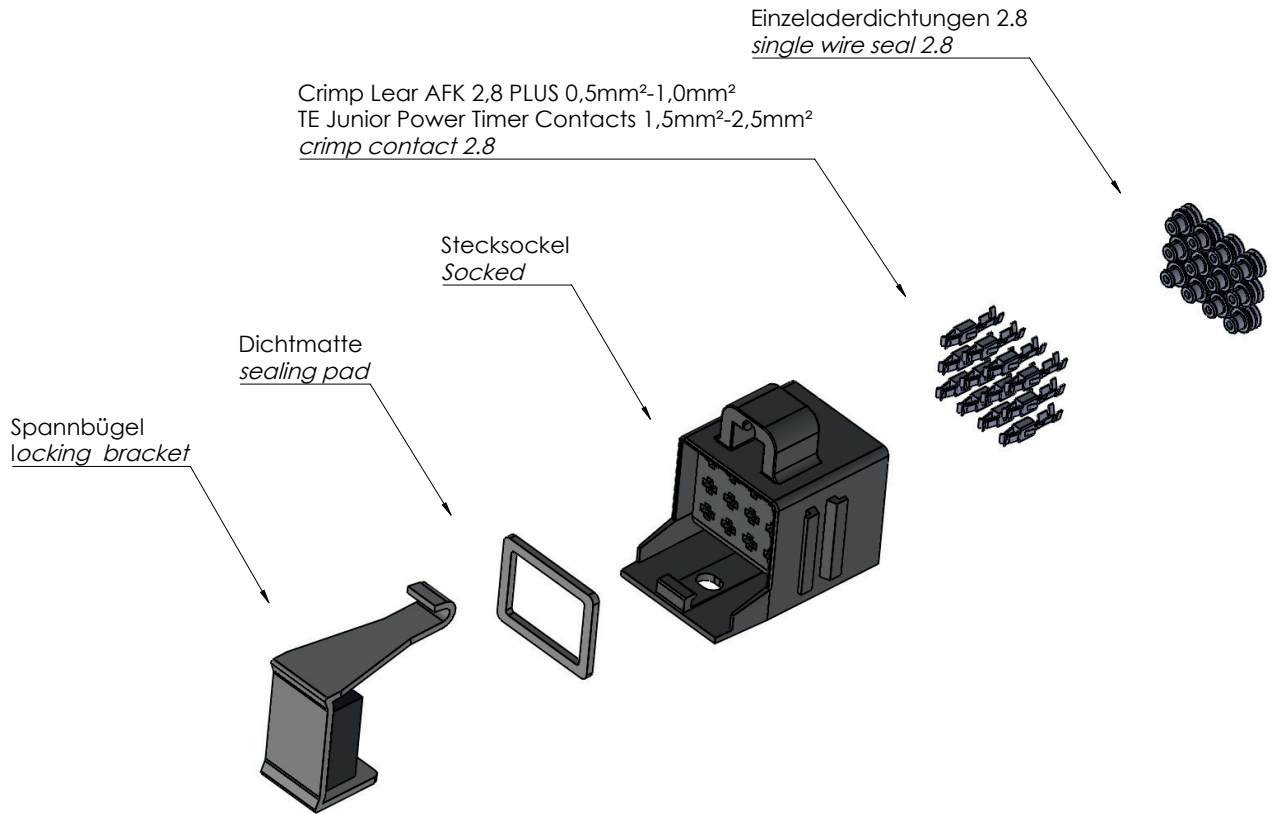
CONTACTS

Crimp Lear AFK 2,8 PLUS	max. 12
Wire cross section: 0.5-1.0 mm ²	
TE Junior Power Timer Contacts	max. 12
Wire cross section: 1.50-2.50 mm ²	

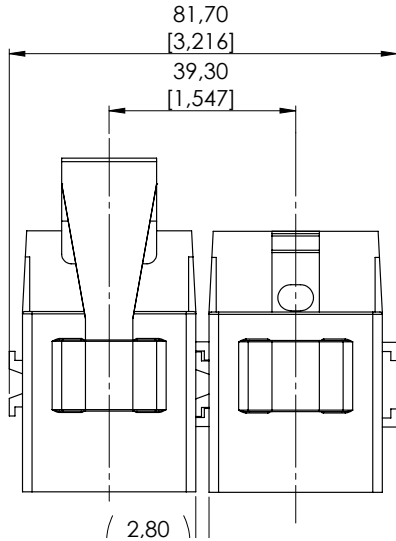
MECHANICAL/ THERMAL PROPERTIES
PA66 GF30 AS PER PRODUCER

Modulus of elasticity	9.000 MPa
Breaking strength	180 MPa
Elongation at rupture	3.2%
Melting temperature	260°C
Deflexion temperature HDT A/ HDT B	250°C

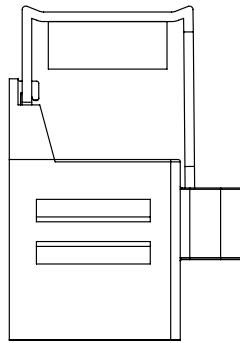
EXPLODED ASSEMBLY DRAWING



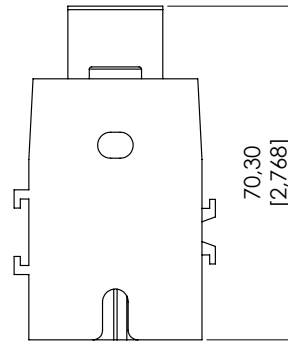
TECHNICAL DRAWING (IN MM)



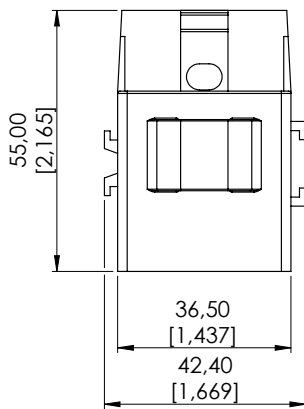
Installation view with sealing pad and locking bracket



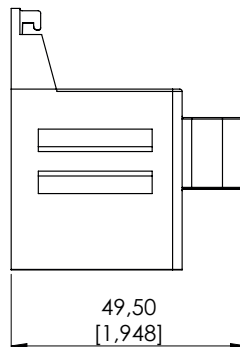
Side view with sealing pad and locking bracket



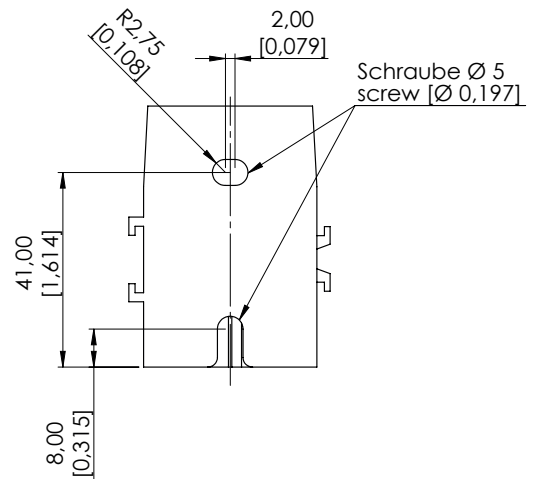
Rear view with sealing pad and locking bracket



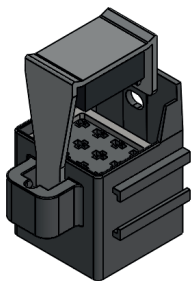
Installation view without sealing pad and locking bracket



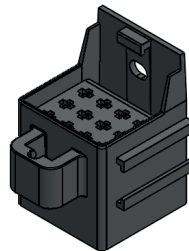
Side view without sealing pad and locking bracket



Rear view without sealing pad and locking bracket



12 pin Waterproof Socket
Ordering number: 1.017.055.1000



12 pin Socket
Ordering number: 1.017.055.0000

12 pin Waterproof Socket Double ISO280
Ordering number: 1.017.055.1100

ASSEMBLY VARIANTS AND ORDERING INFORMATION

Order no.	Description
1.017.055.0000	Socket
1.017.055.1000	Socket waterproof MicroPlex®
1.017.055.1100	Socket waterproof double ISO280

ACCESSORIES

Description	Order no.
Spare part locking bracket	1.017.055.1001
Spare part Seal MicroPlex®	1.017.055.1002
Spare part Seal double ISO280	1.017.055.1004
Set crimp contacts and seals	1.017.055.1003

Single-wire sealing	
Single wire seal 1.2-1.6mm TE Connectivity number	281934-4
Single wire seal 1.7-2.4mm TE Connectivity number	281934-2
Single wire seal 2.5-3.3mm TE Connectivity number	281934-3



MANUFACTURER

MRS Electronic, Inc.
 6680 Poe Avenue Suite 100
 Dayton OH, 45414
 USA

SAFETY AND INSTALLATION INFORMATION

It is essential to read the instructions in full thoroughly before working with the device.

Please note and comply with the instructions in the operating instructions and the information in the device data sheet, see www.mrs-electronic.de

Staff qualification: Only staff with the appropriate qualifications may work on this device or in its proximity.

SAFETY



WARNING! Danger as a result of a malfunction of the entire system.

Unforeseen reactions or malfunctions of the entire system may jeopardise the safety of people or the machine.

- Ensure that the device is equipped with the correct software and that the wiring and settings on the hardware are appropriate.



WARNING! Danger as a result of unprotected moving components.

Unforeseen dangers may occur from the entire system when putting the device into operation and maintaining it.

- Switch the entire system off before carrying out any work and prevent it from unintentionally switching back on.
- Before putting the device into operation, ensure that the entire system and parts of the system are safe.
- The device should never be connected or separated under load or voltage.



CAUTION! Risk of burns from the housing.

The temperature of the device housing may be elevated.

- Do not touch the housing and let all system components cool before working on the system.

PROPER USE

The device is used to control or switch one or more electrical systems or sub-systems in motor vehicles and machines and may only be used for this purpose. The device may only be used in an industrial setting.



WARNING! Danger caused by incorrect use.

The device is only intended for use in motor vehicles and machines.

- Use in safety-related system parts for personal protection is not permitted.
- Do not use the device in areas where there is a risk of explosion.

Correct use:

- operating the device within the operating areas specified and approved in the associated data sheet.
- strict compliance with these instructions and no other actions which may jeopardise the safety of individuals or the functionality of the device.

Obligations of the manufacturer of entire systems

It is necessary to ensure that only functional devices are used. If devices fail or malfunction, they must be replaced immediately.

System developments, installation and the putting into operation of electrical systems may only be carried out by trained and experienced staff who are sufficiently familiar with the handling of the components used and the entire system.

It is necessary to ensure that the wiring and programming of the device does not lead to safety-related malfunctions of the entire system in the event of a failure or a malfunction. System behaviour of this type can lead to a danger to life or high levels of material damage.

The manufacturer of the entire system is responsible for the correct connection of the entire periphery (e.g. cable cross sections, correct selection/connection of sensors/actuators).

Opening the device, making changes to the device and carrying out repairs are all prohibited. Changes or repairs made to the cabling can lead to dangerous malfunctions. Repairs may only be carried out by MRS.

Installation

The installation location must be selected so the device is exposed to as low a mechanical and thermal load as possible. The device may not be exposed to any chemical loads.

Install the device in such a manner that the plugs point downwards. This means condensation can flow off the device. Single seals on the cables/leads must be used to ensure that no water gets into the device.

Putting into operation

The device may only be put into operation by qualified staff. This may only occur when the status of the entire system corresponds to the applicable guidelines and regulations.

FAULT CORRECTION AND MAINTENANCE



NOTE The device is maintenance-free and may not be opened.

- If the device has damage to the housing, latches, seals or flat plugs, it must be taken out of operation.

Fault correction and cleaning work may only be carried out with the power turned off. Remove the device to correct faults and to clean it.

Check the integrity of the housing and all flat plugs, connections and pins for mechanical damage, damage caused by overheating, insulation damage and corrosion. In the event of faulty switching, check the software, switches and settings.

Do not clean the device with high pressure cleaners or steam jets. Do not use aggressive solvents or abrasive substances.